

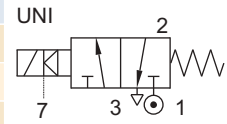
SERIES : 32P

3/2 EXTERNAL PILOT OPERATED, UNIVERSAL POPPET SOLENOID VALVE

TYPE	PRESSURE

TYPE	PRESSURE

TYPE	PRESSURE
32301	0 - 20 bar



FEATURES

- Bubble tight shut off
- Mounts in any position
- Vibration resistance up to 9g
- Suitable for high speed cycling
- Speed up to 600 cycles/ min.
- Life >10 million cycles

WETTED PARTS

Code	※	B1	B2	B5
Body	Anodized Aluminium	Anodized Aluminium	Brass	SS 316
Internals	Aluminium, Brass and SS 316	SS 316	Brass and SS 316	SS 316
Guide Assembly	SS 304			
Shadow-Ring	Copper/ Silver/ None			
Plunger, Insert	SS 430			
Spring/ Circlip	SS 302/ Steel			
Fasteners	SS 304			
Seat, Seals	NBR, Viton, F.Silicon			

AMBIENT AND FLUID TEMPERATURE

-30 °C to 75 °C

SPECIAL VERSION AND SUFFIX

Suffix : (Valve) OX, AM
 Special version : (Solenoid) CO, FR, SS, LC, III

MEDIA

Air, Inert Gases, Water, Vacuum, Free Flowing Liquid, Oil, Diesel, Kerosene, LPG

APPLICATION

Single acting actuator/ Cylinder, control valve actuation. Diverting/ mixing of fluid, Analyzer

PORT CONNECTION

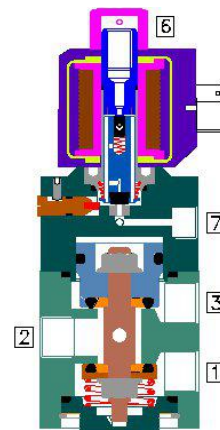
	INLET	OUTLET	EXHAUST	PILOT INLET	PILOT EXHAUST
NC	1	2	3	7	6
NO	3	2	1	7	6
Mixing	1 and 3	2		7	6
Diverting	2	1 and 3		7	6

Contact Rotex for

- Any other ambient, fluid temperature, media and application
- UL listed, Listed general purpose Valve



When valve is used for NC/ NO application, the Pilot pressure should be minimum 2 bar or ≥ main fluid pressure whichever is higher. When valve is used for diverting mixing application, the pilot pressure should be at least 2 bar higher than main fluid pressure.



SPARES

(Refer page 25 for ordering code)

SPARE KIT	CODE
Seal Kit : Oring Set and Plunger Assembly	98
Repair Kit : Oring Set, Plunger Assembly, Fastener, Springs, Manual Override Guide Assembly, Piston Kit	99
Solenoid Kit : Solenoid, Gasket and Nut	34

APPROVAL

(★ applied for)

Approval	TYPE 4X, 6P	IP67	Ex d IIC T4 or T5 or T6 IP66	Ex ia IIC T6 IP67	DGMS	CCOE
		✓	✓		✓	✓
CE		✓	✓			
UL	✓		*			
			✓			
EAC			✓			
			✓			



3/2 EXTERNAL PILOT OPERATED, UNIVERSAL SOLENOID VALVE

SPECIFICATION

PORT CONNECTION		PRE-SSURE bar		ORIFICE (mm)	FLOW FACTOR kv (LPM OF WATER @ 1 bar ΔP)	VALVE TYPE	PILOT PRESSURE	BODY MATERIAL AND INTERNALS				SEALS			MANUAL OVERRIDE		SOLENOID ENCLOSURE			SUFFIX		POWER VA		CONSTRUCTION REFERENCE NUMBER				
SIZE	BSP(F)	NPT(F)	MINIMUM					MAXIMUM	ALUMINIUM	ALUMINIUM + SS	BRASS (STD. PORT NPT)	SS 316/CF8 (STD. PORT NPT)	NBR	Viton	EPDM	Viton GLT	F.Silicon	NIL	STAYPUT CUM MOMENTARY	MOMENTARY	FLYING LEAD	PLUG IN, IP67	SQ. PLUG IN, IP67		TERMINAL BOX IP67	EXPLOSION PROOF IIC, IP67	LARGE ENCLOSURE	SOLENOID SIZE

3/2 UNIVERSAL

1/4"	2G	2R	0	20	7	18	32301	2-20	*	B1	B2	B5	*	S2	S1	S19	M0	*	M8	22	25	T	E	III	14	✓	18	12	8	350
3/8"	3G	3R	0	20	7	18	32301	2-20	*	B1	B2	B5	*	S2	S1	S19	M0	*	M8	22	25	T	E	III	14	✓	18	12	8	354
			0	20	10	38	32301	2-20	*	B1	B2	B5	*	S2	S1	S19	M0	*	M8	22	25	T	E	III	14	✓	18	12	8	351
1/2"	4G	4R	0	20	7	18	32301	2-20	*	B1	B2	B5	*	S2	S1	S19	M0	*	M8	22	25	T	E	III	14	✓	18	12	8	354
			0	20	16	80	32301	2-20	*	B1	B2	B5	*	S2	S1	S19	M0	*	M8	22	25	T	E	III	14	✓	18	12	8	352
3/4"	6G	6R	0	20	20	110	32301	2-20	*	B1	B5	*	S2	S1	S19	M0	*	M8	22	25	T	E	III	14	✓	18	12	8	353	
1"	8G	8R	0	20	25	185	32301	2-20	*	B1	B5	*	S2	S1	S19	M0	*	M8	22	25	T	E	III	14	✓	18	12	8	376	

Cable Entry	T	E	
		Öc/ä	Öc/ä (ä)
M20 x 1.5	FJ	H	iiTÜ
M25 x 1.5		ii	iiSVTÜ
1/2" NPT	Fi	H	iiPÜ
			iiPÜ iiSVPÜ

* = Do not specify when opted for. Refer Page # 22 for Value of *

✓ = Options available

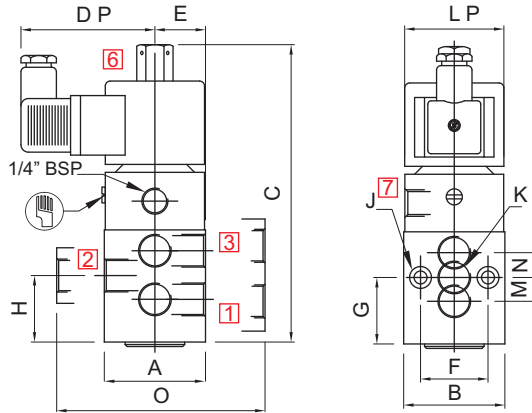
* Valve type printed in red colour is external pilot air/ air operated valve

ORDERING CODE AND EXAMPLE VALVE + SOLENOID

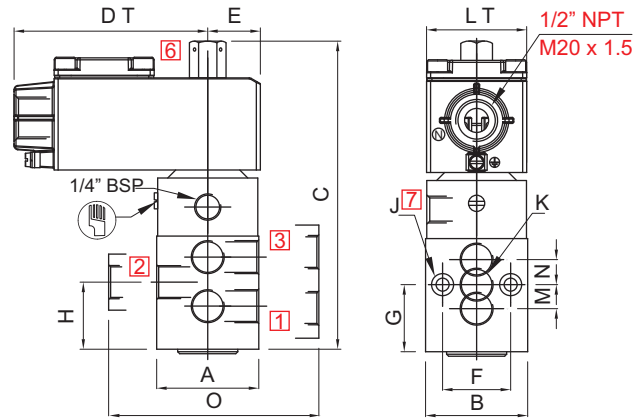
TYPE - SUFFIX - ORIFICE - PORT CONNECTION - BODY AND INTERNALS - MANUAL OVERRIDE - SEAL + SIZE - VOLTAGE - CURRENT - SOLENOID ENCLOSURE - APPROVAL - INSULATION - SPECIAL VERSION
 e.g. 32301-16-4R-B5-S2-M8+110V DC-39-III

DIMENSIONS

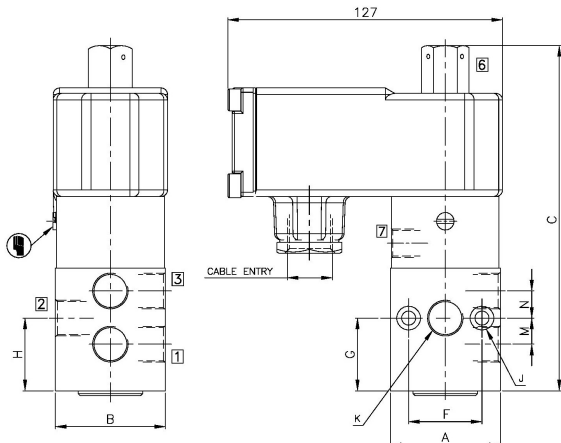
All Dimensions are in mm



PLUG IN SOLENOID TYPE 22/ 25



TERMINAL BOX/ Ex d/ LARGE ENCLOSURE, TYPE 16, 19, 37, 39, 58, 58LT



BCE SOLENOID/ Ex d TYPE 87

K (PORT SIZE)	A	B	C	DP	DT	E	F	G	H	J	L	P	LT	M	N	O	CONST. REF.
VALVE TYPE : 32301-6, 32301-7, 32301-10, 32301-16, 32301-20, 32301-7																	
1/4"	50	40	149	68	97	26	34	34	34	M6	Ø50	50	11	11			349
1/4"	51	51	154	68	97	26	34	34	34	M6	Ø50	50	12	12			350
3/8"	61	61	165	68	97	30	34	36	36	M6	Ø50	50	14	14			351
1/2"	81	81	187	68	97	40	50	48	48	M8	Ø50	50	18	18			352
3/4"	94	81	204	68	97	40	50	58	58	M8	Ø50	50	24	24			353
3/8", 1/2"	51	51	154	68	97	26	34	34	34	M6	Ø50	50	12	12	105		354
1"	115	128	204	68	97	40	60	58	58	M8	Ø50	50	24	24	105		376

