



Type multiport gauge valves are ideal for use on gauge or instrument installations without further penetrations of the main piping. A gauge valve with multiple outlets and inlets with in various sizes and connections. The standard three 1/2" NPT female screwed outlet ports offer a flexibility of alternative applications. Available with a male inlet and three female outlet ports or female inlet and three female outlets. Bleed valves and plugs to suit outlet ports supplied optional.

Applications

- Mounting of instruments or multiple gauges
- Instrument isolation
- Instrument installation with separate vents
And calibrate connections
- Liquid and vapor gas service



GOST

CE

Technical specifications

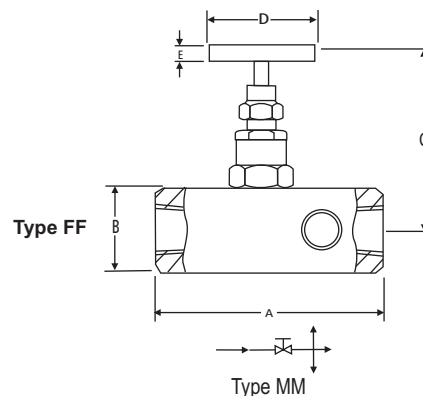
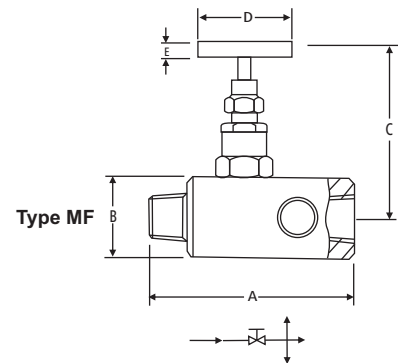
Design Pressure	: 6000 PSI
Max temp.	: 240°C
Stem	: (Type CT) Conical tip
Gland Packing	: PTFE
Stem packing area	: Burnished finish for smooth valve operation.
Safety Feature	: Back seating for preventing stem blowout.
Feature	: Multi outlet design extended valve inlet up to 4" max. for pipe insulation.

Size	Type	Body dimensions		Height (open) C	Handle D	Handle OD E
		A	B			
1/4"	FxF	74	25	65	40	10
	MxF	84	25	65	40	10
3/8"	FxF	74	25	65	40	10
	MxF	84	25	65	40	10
1/2"	FxF	102	32	86.6	55	12.7
	MxF	115	32	86.6	55	12.7
3/4"	FxF	102	38	86.8	55	12.7
	MxF	115	38	86.6	55	12.7

All dimensions are in mm

Optional : MGT 10 - High pressure valves for 10,000 psi pressure

Note : Other combination sizes available on request.
Please contact us for more details.



Notes : • Drawings are not to scale.
• All Dimensions are in mm.

How To Order

Body Material	Stem Packing	Size = P x P1	Connections (inlet x outlet)	Threads
C = Carbon Steel	P = PTFE	24 = 1/4" x 1/4"	FF = Female x Female	N = NPT (ANSI B 1.20.1)
S = SS 316	G = Grafoil	44 = 1/2" x 1/2"	MF = Male x Female	P = BSPP (BS 2779, ISO 228/1)
S4 = SS 304		46 = 1/2" x 3/4"	SW = Socket Weld	B = BSPT (BS 21, ISO 7/1)
SL = SS 316L		64 = 3/4" x 1/2"	FL = Female x extended	
M4 = Monel 400		66 = 3/4" x 3/4"	long body end	
M5 = Monel 500				
H = Hastelloy C				
B = Brass				

Options

TF	: Compliance to NACE standard
SG	: For Oxygen service, valves are supplied cleaned, degreased and suitably packed.
GH	: Material test certificate*
GO	: Hydro test certificate
BLD8	: Bleeder 1/2" NPT (Male)
D8	: Plug 1/2" NPT (Male)

* Material test certificate will be provided for wetted parts only with chemical composition testing. For others, please consult factory.

Example

To place an order simply refer to the codes in the table.

Valve Type : Body Material + Stem Packing + Size + Connections + Threads + Options

MGT + S + P + 44 + MF + N = MGT . S . P . 44 . MF . N . Options

Standard Valve Materials

Valve	Body	Bonnet	Stem	Tip
Carbon Steel	CS A105	CS A105	SS 304	SS 304
Stainless Steel	SS 316	SS 316	SS 316	SS 316
Monel	Monel	Monel	Monel	Monel

Note : Specifications and dimensions given in this product catalogue represents the state of engineering at the time of printing.
 Modifications may take place and materials specified may be replaced by others without prior notice.